



11.6" Multimedia
Photo Kiosk

MARS12 Lite



Small Investment, Big Return

- Streamlined smartphone printing solution
- All-in-one photo printing application
- Low cost, perfect solution for select, print, and go
- Small footprint (0.1m²) for constricted workplace



11.6" Multimedia Photo Kiosk

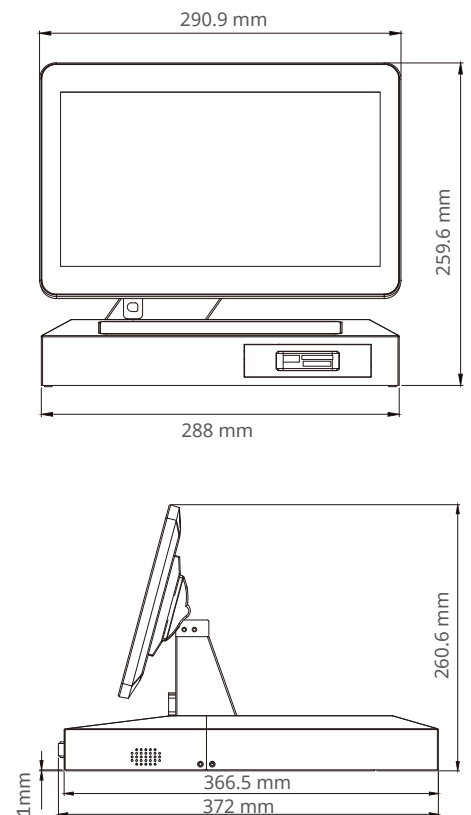
MARS12 Lite

■ Specifications

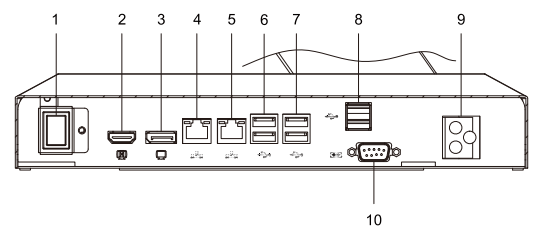
CPU	Intel® Celeron® Processor N3010
Memory	4GB DDR3
Display	11.6", LED Backlight, 1366x768
Touch	Projected Capacitive (PCAP) Multi-touch
Storage	SSD 128GB
Media Supportable	SDHC SDXC MS MS Pro USB Flash Drive
Phone Cable	iPhone / Android Phone
I/O Interface	USB 3.0 x4 USB 2.0 x2 UART x1 Display port x1
Ethernet	10/100/1000 Mbps, RJ45 x 2
Audio	2 Watts Speaker x 2
Power	AC Adapter DC 12V/3A
Dimension (WxHxD)	290.87x260.63x372 mm / 11.45x10.26x14.65 inch
Weight	5Kg / 11lbs

Specifications are subject to change without prior notice.

■ Dimension



■ Fully-Integrated I/O



1. Power Button
2. HDMI
3. Display
4. LAN 1
5. LAN2
6. USB 3.0 x2
7. USB 3.0 x2
8. USB 2.0 x2
9. AC in
10. COM

■ Service & Support Centers

Taiwan (Headquarters)

HiTi Digital, Inc.
9F., No.213, Sec. 3, Beixin Rd., Xindian Dist.,
New Taipei City 231, Taiwan (R.O.C.)
TEL: +886-2-2912-6268
FAX: +886-2-2912-6118
www.hiti.com

China

HiTi Digital Suzhou, Inc.
Room 1914, No. 381, Suzhou Ave. East,
Suzhou Industrial Park, Suzhou City,
Jiangsu Province, China
TEL: +86-512-82281688-2195
FAX: +86-512-82281690

North America

HiTi Digital America, Inc.
20803 E Valley Blvd, Suite 110 Walnut, CA 91789, U.S.A.
TEL: +1-844-319-0099, +1-909-594-0099
FAX: +1-909-598-0011

Latin America

HiTi Digital, México Inc.
TEL: +52 (55) 7587-4057, +52 (55) 7587-4058,
+52 (55) 7587-4059, +52 (55) 7587-4060
FAX: +1-925-2622375

Europe

HiTi Digital Europe S.r.l
Via Walter Marcobi 4, 21100 Varese, Italy
TEL: +39 332 176 5314 / 332 176 5312 (Technical Support)
FAX: +39 332 176 5315

Singapore

HiTi Digital Singapore Pte Ltd
5008 Ang Mo Kio Ave 5 #04-09 Techplace II Singapore 569874
TEL: +65-6475-1885 / FAX: +65-6475-2281

 HiTi Digital, Inc.

Copyright ©2021 HiTi Digital, Inc. All Rights Reserved.
iPhone is a trademark of Apple Inc.
Android is a trademark of Google Inc.
All other trade names and trademarks are properties of their respective owners.